

Description

The EMERGENCY LIGHT CONTROL RELAY (ELCR) is a remote mounted emergency lighting shunt device. It is designed to allow switching of designated Non-Dimmed emergency lighting fixtures. The ELCR - R contains digital circuitry to safely bypass and shunt switches and relays in the event of a power failure thus providing the emergency lighting power access to alternate power systems such as generators and central inverters.

Features

Unit is designed to override switches in case of normal utility power failure per UL 924 requirements.

Unit recess mounts into the ceiling using a standard 4 11/16" square junction box and standard 2 gang plaster ring.

Unit Housing and white faceplate are metal.

Universal voltage (120VAC - 277VAC).

Made in America.

Electrical

Unit carries a full 20 amp rating for incandescent, fluorescent - magnetic and electronic ballasts, and LED lighting power supplies. 1200 watts incandescent maximum load recommended.

Sense Input:	120VAC or 277VAC with less than 20mA current draw.
Room Switch Input:	120VAC or 277VAC with less than 20mA current draw.
Emergency Power Input:	120VAC or 277VAC
Output Voltage:	Same voltage as the emergency power input.
Load Rating:	20 AMPS (NEVER LOAD BREAKER ABOVE 16 AMPS)
Load Rating-Auxiliary Relay:	30VDC, 6A max Normally Open (NO) relay
Operating Temperature:	32°F to 140°F

Normal and emergency power do not have to be of the same phase.

4 separate LED status indicators (NEC 700-7).

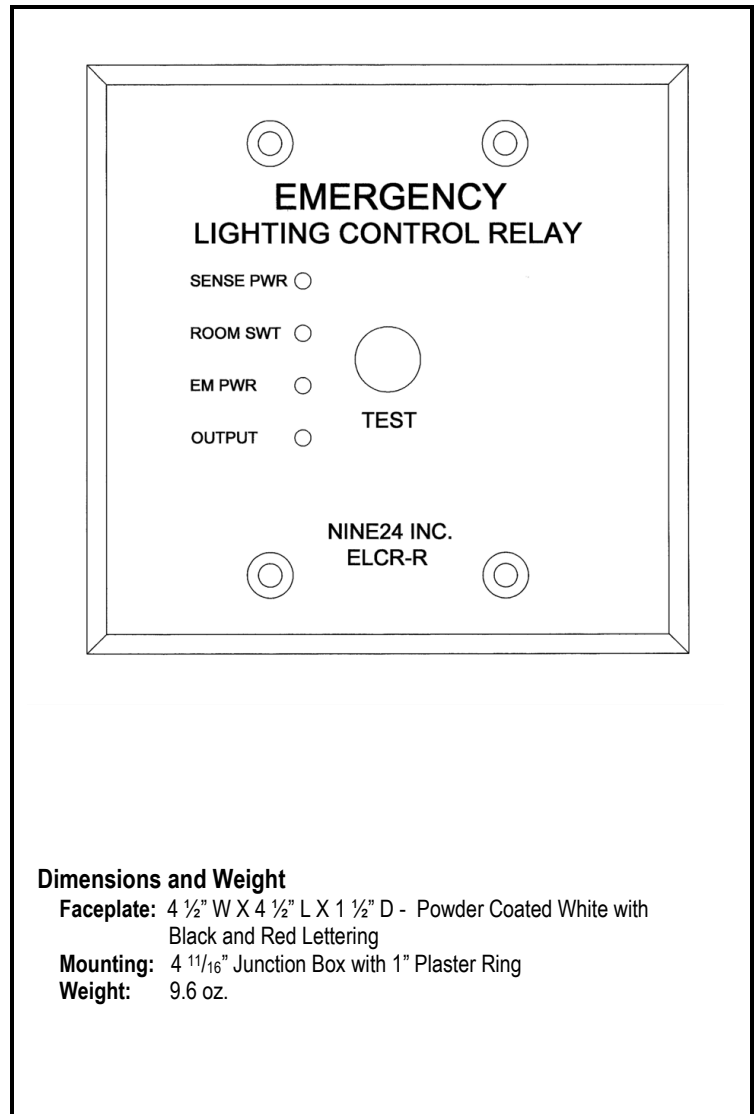
Exposed test switch for local inspection (NEC 700-4).

Meets requirements of NEC 700-B,C

ETL 924 listed, dated August 12, 2012

Warranty: Limited 3 year product replacement warranty.
Contact Nine 24 Inc. for complete warranty information.

Specification-Grade Emergency Lighting Control For Switched Emergency Circuits



Dimensions and Weight

Faceplate: 4 1/2" W X 4 1/2" L X 1 1/2" D - Powder Coated White with Black and Red Lettering

Mounting: 4 11/16" Junction Box with 1" Plaster Ring

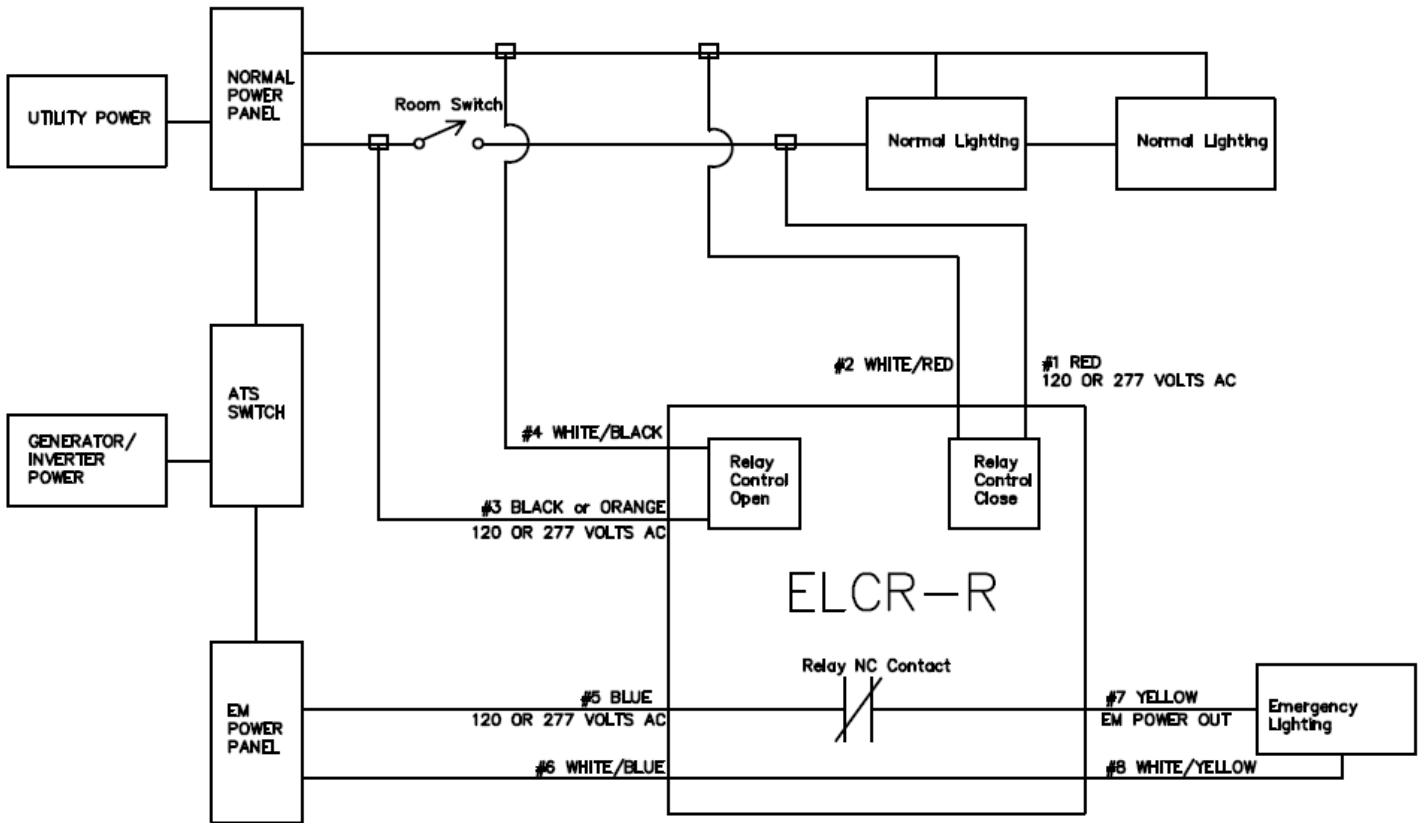
Weight: 9.6 oz.

Fire Alarm and Security System Interface option:

In the event of an emergency condition (fire, storm, security breach, etc.) or alarm testing, the "FAI-120" and "FAI-277" option causes the ELCR - R units to illuminate the emergency lighting through the opening of a N.C. 24V contact in the building fire alarm or security system. The ELCR - R will energize the emergency lighting fixtures during a loss of normal power no matter what the state of the fire alarm or security system. Requires (2) 18ga LV wires to the nearest fire alarm panel where the N.C. 24v contacts are located. Each "FAI" has a current draw of 40ma. Wiring diagrams provided on separate cut sheet.

WIRING DIAGRAM

NOTE: THE ELCR-R DEVICE IS A MULTI VOLTAGE DEVICE. ALL INPUTS CAN BE OF DIFFERENT VOLTAGES AND ALL INPUTS ARE ISOLATED. THE OUTPUT OF THE DEVICE TO THE EMERGENCY FIXTURE WILL ALWAYS BE THE SAME VOLTAGE AS THE EMERGENCY POWER INPUT OF THIS DEVICE. THE SENSE AND ROOM SWITCH INPUTS ARE USED ONLY FOR MONITORING PURPOSES AND ARE ISOLATED BOTH HOT AND NEUTRAL FROM THE EMERGENCY POWER WHICH FEEDS THE FIXTURE.



WIRE CONNECTION GUIDE

1. RED: ROOM SWITCH HOT
2. WHITE/RED: ROOM SWITCH NEUTRAL
3. BLACK OR ORANGE: NORMAL BREAKER HOT
4. WHITE/BLACK: NORMAL NEUTRAL
5. BLUE: EMERGENCY HOT
6. WHITE/BLUE: EMERGENCY NEUTRAL
7. YELLOW: LOAD OUTPUT HOT
8. WHITE/YELLOW: LOAD OUTPUT NEUTRAL

NOTE: NEVER COMBINE EMERGENCY AND NORMAL NEUTRAL AS THIS WILL DAMAGE THE ELCR & LOAD DEVICES

REV 1/1/21

Nine 24, Inc. 2139 Buechel Bank Road, Louisville, KY 40218
 Phone: (502) 301-7106 Fax: (502) 301-7108 Email: info@924inc.com Web: www.924inc.com